



The World's Most Trusted Conveyor



Double Deck Stor-U-Veyor

Dry Cleaning Storage Conveyor

FEATURES and BENEFITS

- ✓ Inverter controlled direct drive
- ✓ Custom designed for the maximum increase in your storage capacity
- ✓ Each configuration can be expanded or modified as your needs change
- ✓ Bi-directional hand switch - standard
- ✓ With the optional keyboard control, the microprocessor selects the shortest route (left or right) to the order's location
- ✓ DS has 10 slot cast aluminum upper and lower frame, 12" width
- ✓ DW has 10 slot cast aluminum upper and 10 slot nylon lower frame, 12" width

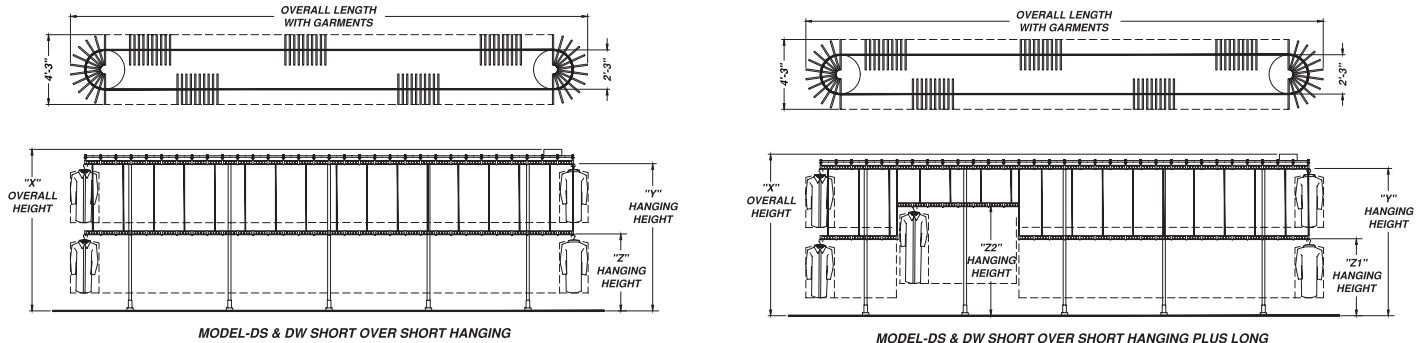
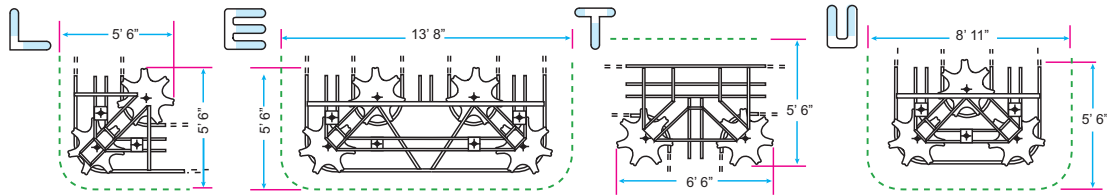
This unique White Conveyors product offers two full levels of hangered garments that operate together at the touch of a button. The Double Deck Stor-U-Veyor provides double capacity for shirts, pants or other garments. Available in two configurations: DS, with fixed lower level cast aluminum chain; or DW with removable nylon lower frames. DW model permits mixing of long and short garments as needed.

The DS model has 12" wide, 10 slot cast aluminum upper and lower frames with fixed drop rod every 2 frames.

The DW model has 12" wide, 10 slot cast aluminum upper frame and 10 slot nylon lower frame with removable drop rod every frame (available in any length).

Double Deck Stor-U-Veyor Dry Cleaning Storage Conveyor

White Conveyors are available in a wide variety of special shapes. You can "design your own conveyor" to fit most any length or shape by using our standard "modular" sections. Here are some typical shapes.



MODEL	"X" ELEV.	"Y" ELEV.	"Z" ELEV.
DS	8'-2"	7'-2"	3'-7"
DW	8'-10"	7'-10"	3'-11"

MODEL	"X" ELEV.	"Y" ELEV.	"Z1" ELEV.	"Z2" ELEV.
DS	8'-2"	7'-2"	3'-7"	5'-0"
DW	8'-10"	7'-10"	3'-11"	5'-3"

MODEL NUMBER and Number of Slots		LENGTH of Hanging Capacity	OVERALL LENGTH with Garments
DS200	DW200	40'-0"	11'-0"
DS220	DW220	44'-0"	12'-0"
DS240	DW240	48'-0"	13'-0"
DS260	DW260	52'-0"	14'-0"
DS280	DW280	56'-0"	15'-0"
DS300	DW300	60'-0"	16'-0"
DS320	DW320	64'-0"	17'-0"
DS340	DW340	68'-0"	18'-0"
DS360	DW360	72'-0"	19'-0"
DS380	DW380	76'-0"	20'-0"
DS400	DW400	80'-0"	21'-0"
DS440	DW440	88'-0"	23'-0"
DS480	DW480	96'-0"	25'-0"
DS520	DW520	104'-0"	27'-0"
DS560	DW560	112'-0"	29'-0"
DS600	DW600	120'-0"	31'-0"
DS640	DW640	128'-0"	33'-0"
DS680	DW680	136'-0"	35'-0"
DS720	DW720	144'-0"	37'-0"
DS760	DW760	152'-0"	39'-0"
DS800	DW800	160'-0"	41'-0"

One hand switch furnished.



White Conveyors, Inc.
 10 Boright Avenue, Kenilworth, NJ 07033
 +1 (908) 686-5700 • +1 (800) 524-0273
www.white-conveyors.com