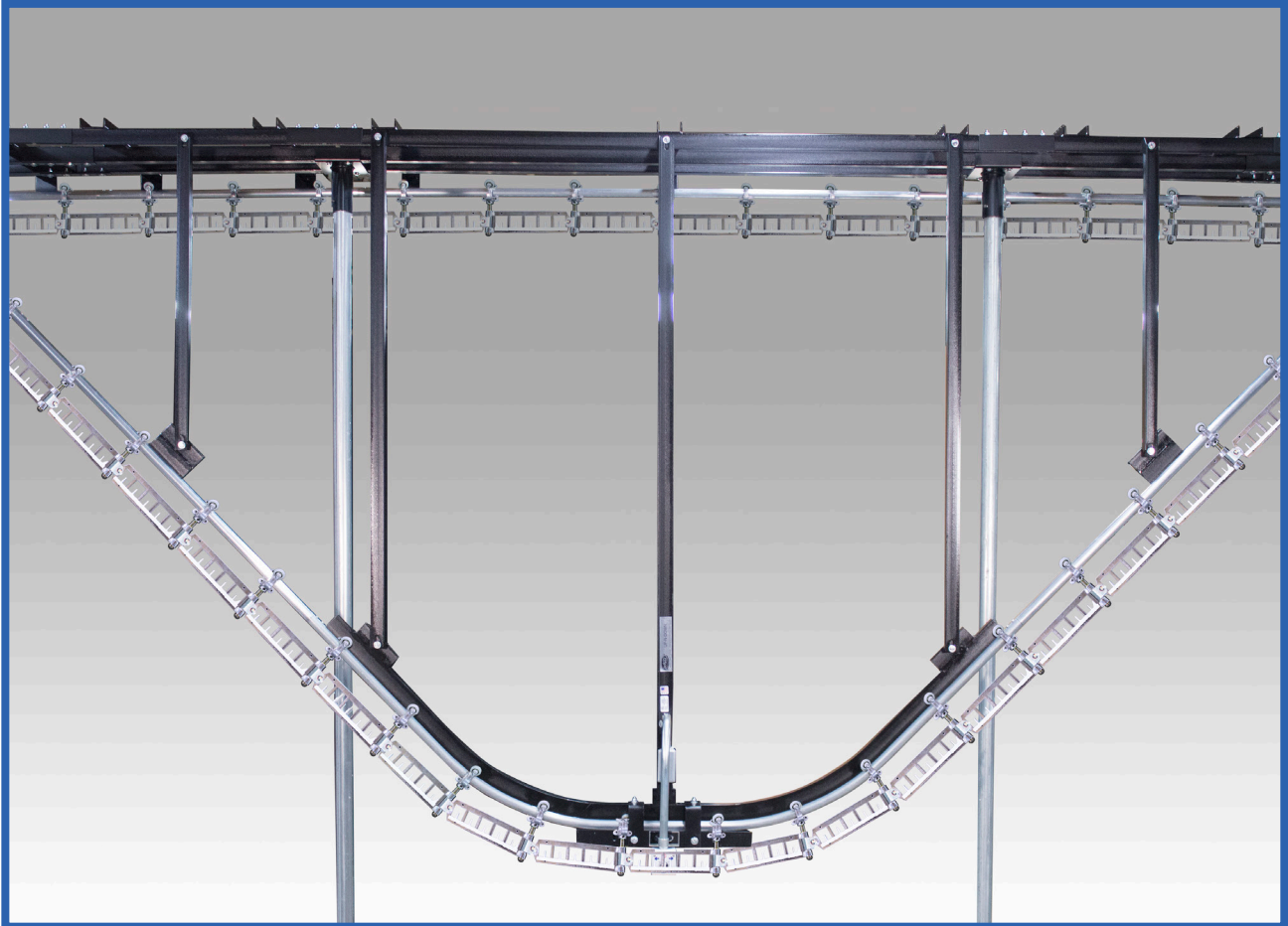




The World's Most Trusted Conveyor



V-Dip

Dry Cleaning Storage Conveyor

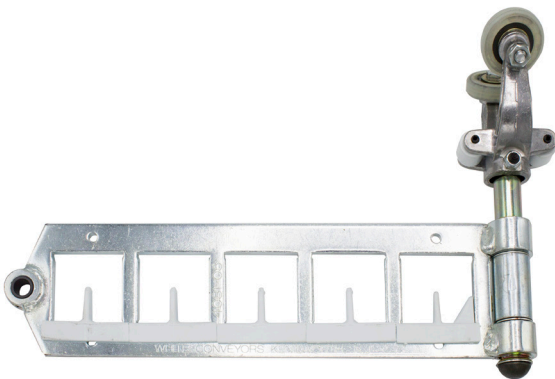
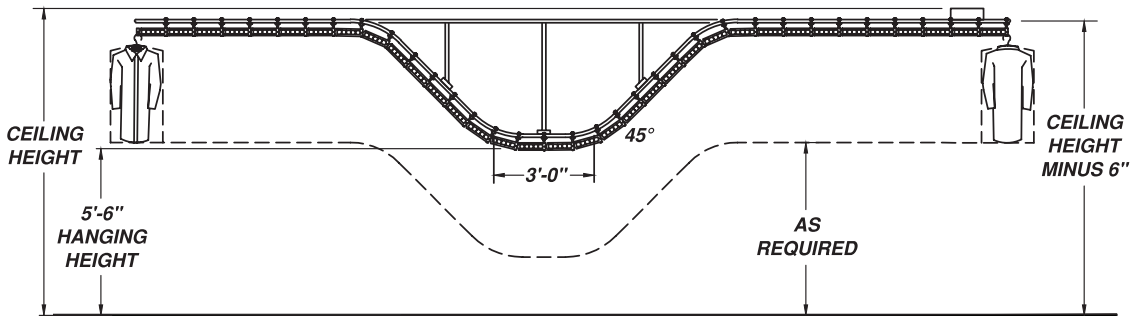
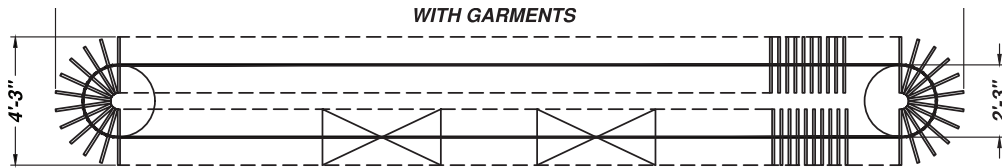
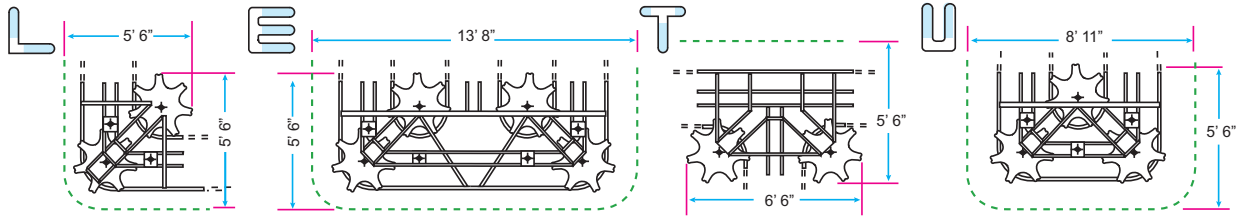
FEATURES and BENEFITS

- ✓ Inverter controlled direct drive
- ✓ Bi-directional hand switch - standard
- ✓ Automatic Keyboard control - optional
- ✓ With the keyboard control, the microprocessor selects the shortest route (left or right) to the order's location
- ✓ 10 slot stamped steel frame, 12" width, with nylon inserts

The side loading White Conveyors V-Dip takes up the space of one garment ($\pm 2'$) on the floor... but uses all available overhead space. Ideal for a narrow call office, or where floor space is at a premium. The V-Dip takes advantage of your store's cubic capacity, while using minimum floor space.

V-Dip Dry Cleaning Storage Conveyor

White Conveyors are available in a wide variety of special shapes. You can “design your own conveyor” to fit most any length or shape by using our standard “modular” sections. Here are some typical shapes.



MODEL NO. and Number of Slots	LENGTH of Hanging Capacity	OVERALL LENGTH with Garments*
V540	54'-0"	26'-0"
V580	58'-0"	28'-0"
V600	60'-0"	29'-0"
V620	62'-0"	30'-0"
V660	66'-0"	32'-0"
V700	70'-0"	34'-0"
V740	74'-0"	36'-0"
V780	78'-0"	38'-0"
V800	80'-0"	39'-0"
V820	82'-0"	40'-0"
V860	86'-0"	42'-0"
V900	90'-0"	44'-0"
V920	92'-0"	45'-0"
V960	96'-0"	47'-0"
V1000	100'-0"	49'-0"

*Variable dimensions based upon clear ceiling height.



White Conveyors, Inc.

10 Boright Avenue, Kenilworth, NJ 07033

+1 (908) 686-5700 • +1 (800) 524-0273

www.white-conveyors.com